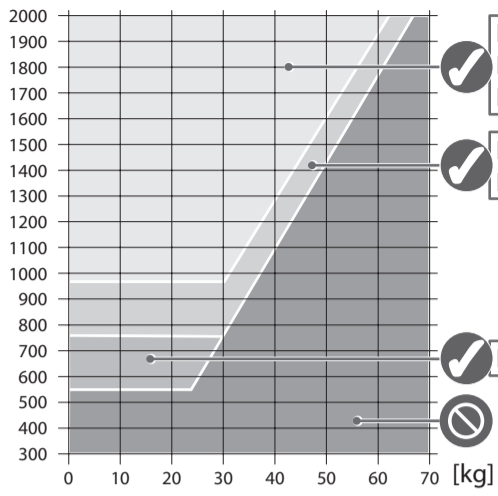


OW ~ 320 mm

b [mm]



FPS 1  
FPS 2  
FPS 3

FPS 1  
FPS 2

FPS 1



FPS 1

b [mm]	x1 [mm]	$\delta$ [°]
550 ... 599	80	85
600 ... 659	90	80
660 ... 709	110	70
710 ... 759	125	60
760 ... 809	140	55



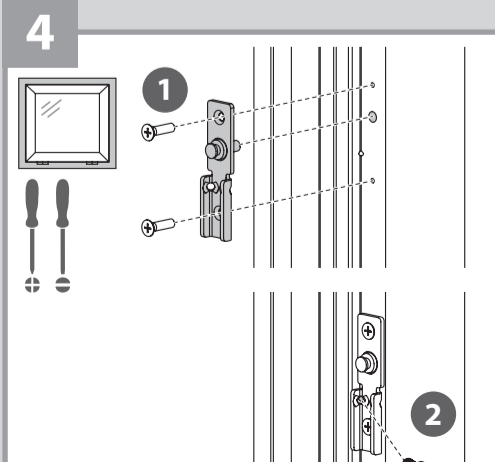
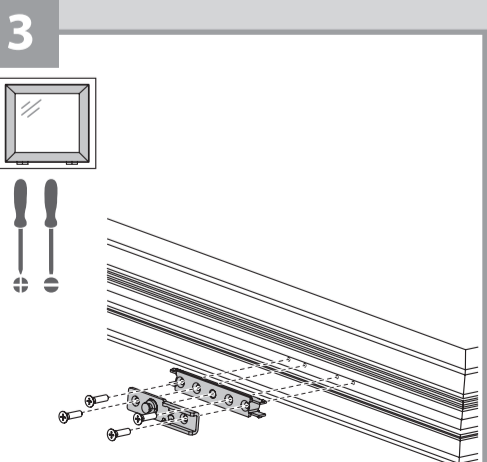
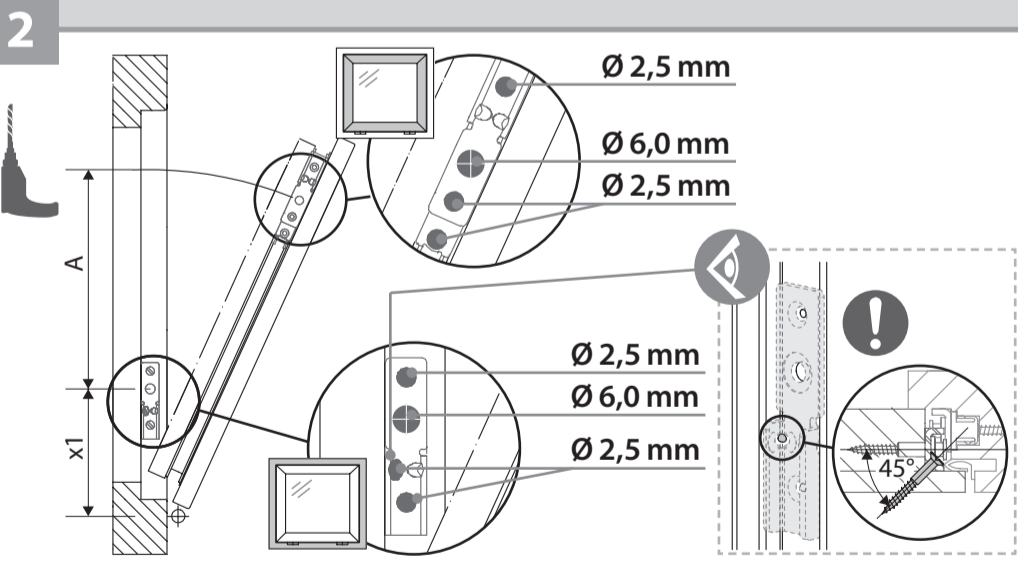
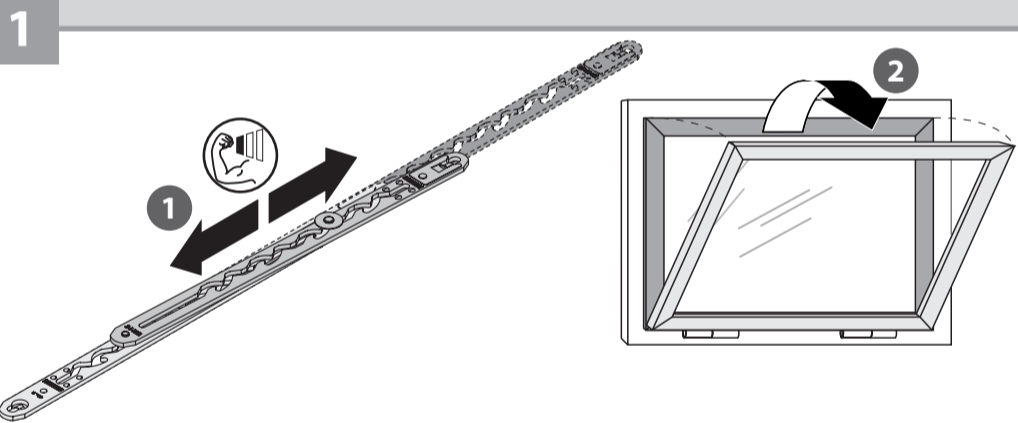
FPS 3

b [mm]	x1 [mm]	$\delta$ [°]
970 ... 1049	250	85
1050 ... 1149	280	75
1150 ... 1249	325	70
1250 ... 1399	370	60
1400 ... 1549	435	55
1550 ... 1699	500	50
1700 ... 1849	570	45
1850 ... 2000	630	40

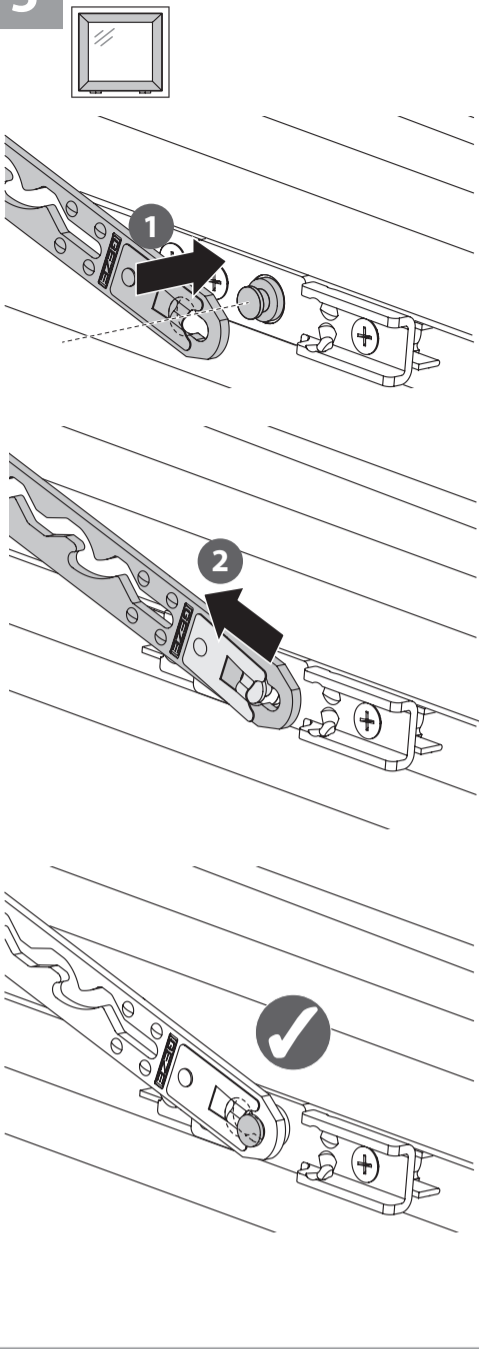


FPS 2

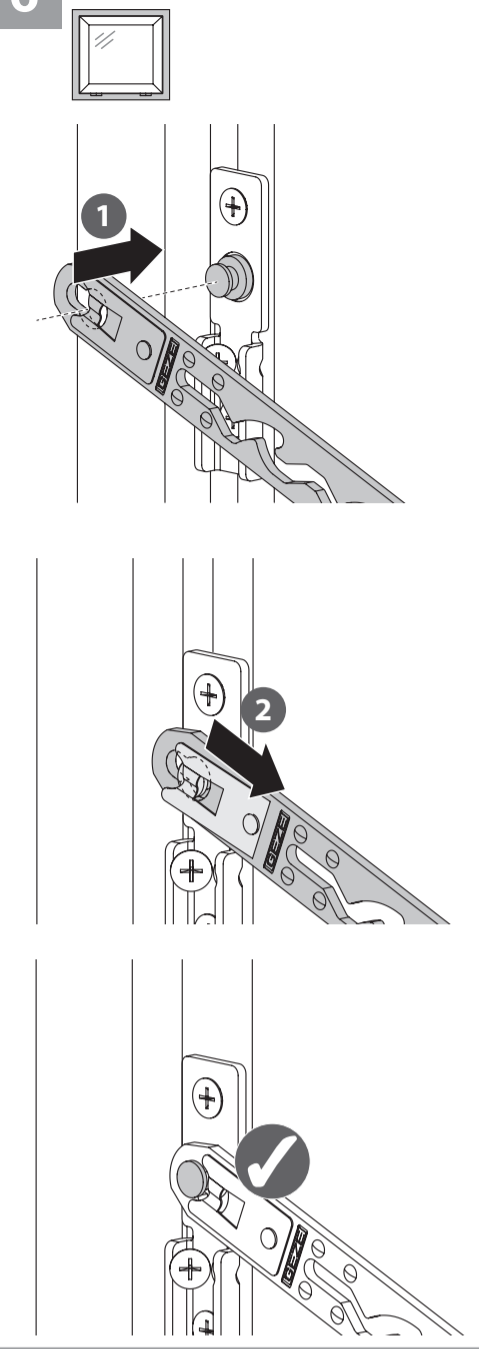
b [mm]	x1 [mm]	$\delta$ [°]
760 ... 799	155	90
800 ... 849	165	85
850 ... 889	185	80
890 ... 939	200	75
940 ... 999	220	70



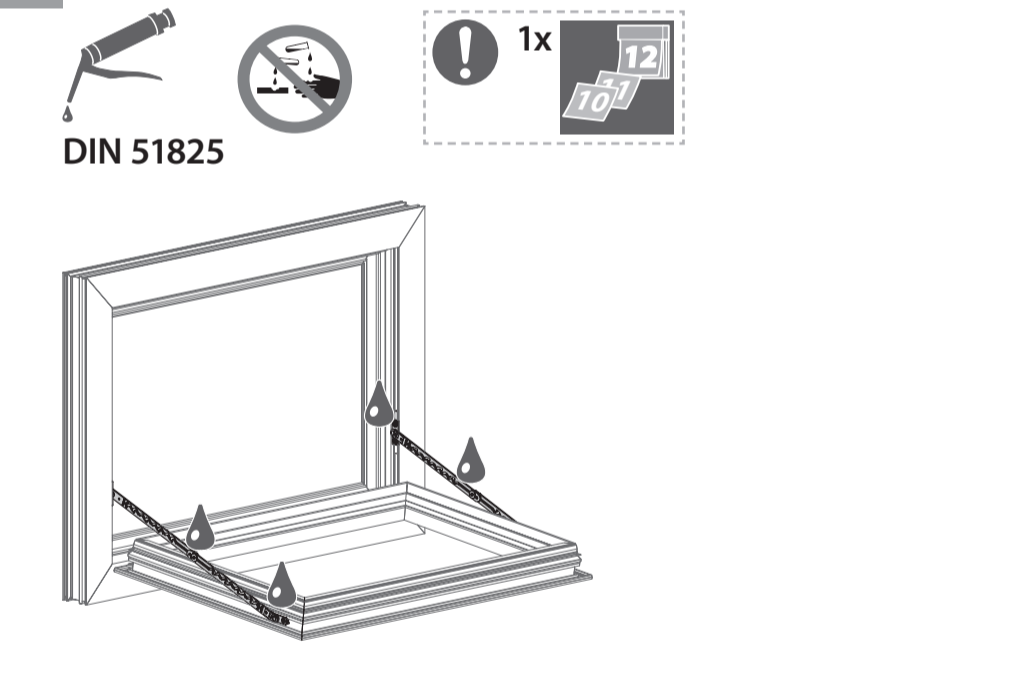
5



6



7



i

