

GC 339+



203883-00

47.0643 v2 - 10.2022



Translation of the original operating instructions for device version 0600

Contents

Symbols and illustrations	4
Abbreviations	4
Product liability.....	4
1 Safety	5
1.1 Intended use.....	5
1.2 Safety notes	5
1.3 Safety-conscious working.....	6
1.4 Environmentally conscious working	6
2 Description.....	7
2.1 Scope of delivery	9
3 Work to be done before installation	9
3.1 Installing the drive.....	9
3.2 Safety sensor system.....	10
4 Installation.....	11
4.1 Installation without accessories.....	11
4.2 Installation with ceiling installation kit	12
4.3 Installation with mounting bracket	14
4.4 Installation with weather hood	15
4.5 Cabling	16
5 Retrofit.....	17
6 Commissioning.....	17
6.1 Protection area	17
6.2 Settings	19
6.3 Teach-in.....	19
7 Configuration possibilities.....	20
7.1 Using the LCD menu.....	20
7.1.1 Display during normal function	20
7.1.2 Menu navigation.....	20
7.1.3 Changing ZIP code.....	20
7.1.4 Changing and storing values	21
7.1.5 Checking values using the remote control.....	21
8 Settings	21
8.1 Presettings	21
9 Last installation steps.....	24
10 Further installation situations	25

10.1	Single leaf installation and separate activation	25
10.2	Wall mounting	27
11	Maintenance.....	27
12	Fault messages and troubleshooting	28
13	Technical data	30
14	Accessories / spare parts.....	31

Symbols and illustrations





Warning notices

In these instructions, warning notices are used to warn against material damage and injuries.

- ▶ Always read and observe these warning notices.
- ▶ Observe all measures marked with the warning symbol and warning word.

Explanation of symbols

In these instructions, the following symbols are used for setting and configuration work:

Symbol	Explanation
	Press push button
	Press push button 2x
	Turn push button
	Press and turn push button

Abbreviations

FR	Escape and rescue routes
IR	Infrared
IR	Active infrared
RAD	Radar
LCD	Liquid Crystal Display
Main closing edge / secondary closing edge	Main closing edge / secondary closing edge

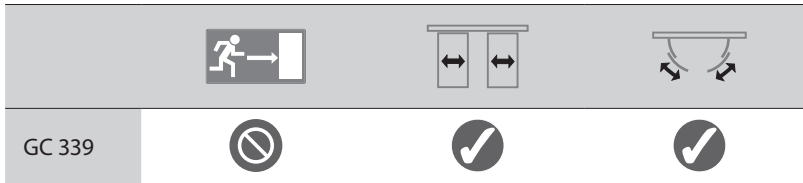
Product liability

In compliance with the liability of the manufacturer for his products as defined in the German "Product Liability Act", compliance with the information contained in this brochure (product information and intended use, misuse, product performance, product maintenance, obligations to provide information and instructions) must be ensured. Failure to comply releases the manufacturer from his statutory liability.

1 Safety

1.1 Intended use

The GC 339+ safety sensor may only be used to protect automatic sliding doors and curved sliding doors with GEZE drives. The minimum object size corresponds to the reference object CA according to DIN 18650 or 16005 both upright and lying down. The sensor can be used to secure automatic sliding doors against impact and trapping of the human body.



1.2 Safety notes

- The prescribed mounting, maintenance and repair work must be performed by personnel authorised by GEZE. Any attempts at repairs by unauthorised personnel cancel the factory guarantee.
- The device may only be operated with safety extra-low voltage (SELV) with electrically protective separation.
- The country-specific laws and regulations are to be observed during safety-related tests.
- Make sure that the cover of the drive is fitted correctly and earthed.
- If unauthorised changes are made to the system, GEZE cannot be held liable in any way whatsoever for any resulting damage, and the statement of approval for use in escape and rescue routes is no longer valid.
- GEZE does not accept any warranty for combinations with third-party products.
- Only original GEZE parts may be used for repair and maintenance work.
- Observe the latest versions of guidelines, standards and country-specific regulations, in particular:
 - ASR A1.7 "Doors and gates"
 - DIN 18650 "Building hardware – Powered pedestrian doors"
 - DIN EN 16005 "Power operated pedestrian doorsets – Safety in use – Requirements and test methods"
 - Accident-prevention regulations, especially BGV A1 "General regulations" and BGV A2 "Electrical installations and equipment".

- The risk assessment and installation of the sensor and the door system in compliance with national and international regulations and door safety standards are the responsibility of the door manufacturer.
- The manufacturer cannot accept any responsibility for defective installation or setting of the sensor.
- Before leaving the installation, test the sensor for correct function.
- Any uses of the device other than those described in this manual do not correspond to the approved purpose and cannot be guaranteed by the manufacturer.

1.3 Safety-conscious working

- Secure workplace against unauthorised entry.
- Watch the swivelling range of long system parts.
- Secure the cover/drive panels against falling.
- Attach safety stickers to glass leaves.
- Danger of injury with opened drive. Hair, clothing, cables, etc. can be drawn in by rotating parts.
- Danger of injury caused by unsecured crushing, impact, drawing-in or shearing spots.
- Danger of injury due to glass breakage.
- Danger of injury due to sharp edges in the drive.
- Danger of injury by freely moving parts during installation.

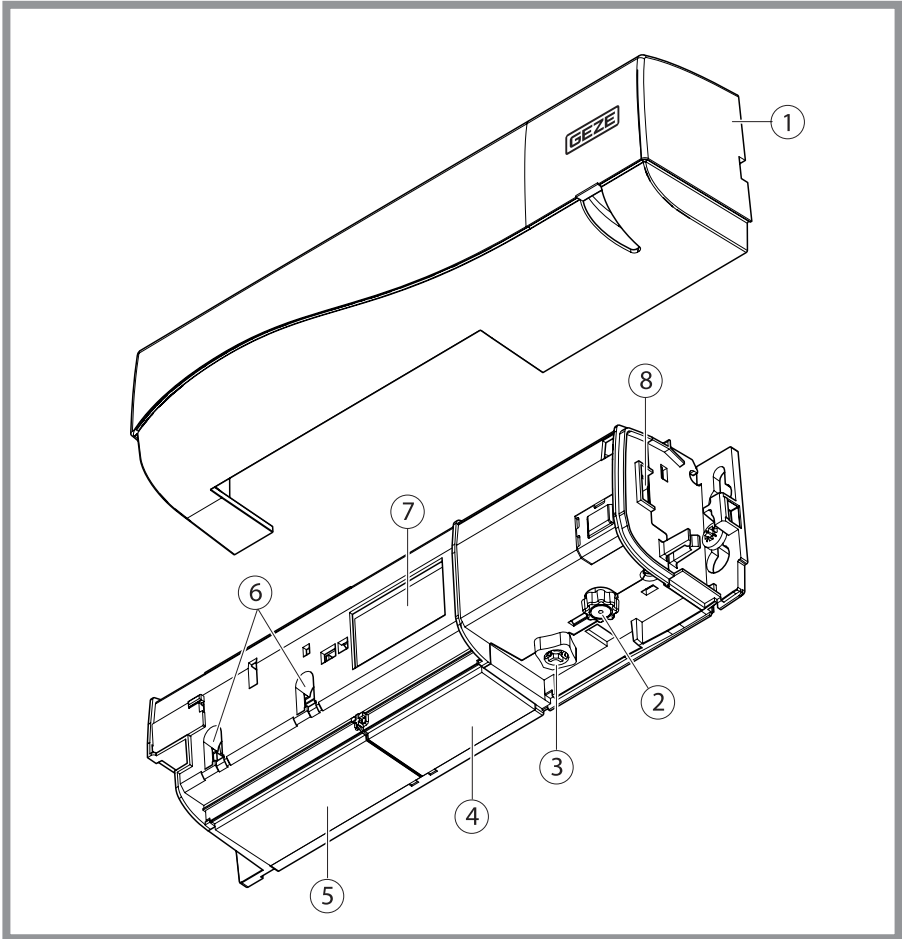
1.4 Environmentally conscious working

- When disposing of the door system, separate the different materials and have them recycled.

2 Description

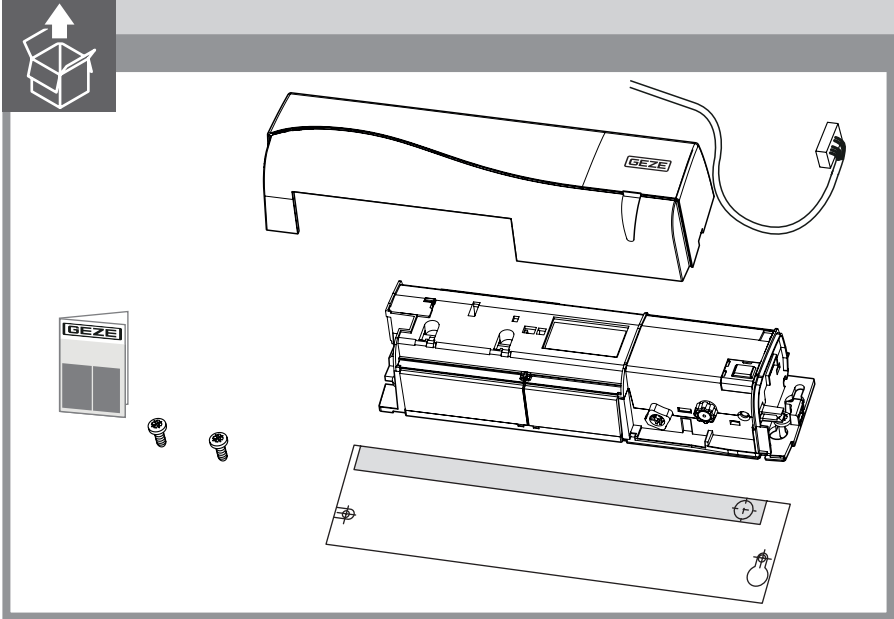
The GC 339+ safety sensor has an infrared field for protection. The mutual influence of several sensor systems with hazardous effect is not possible. Unintentional stop signals are possible where detectors are mounted next to one another, since their infrared measuring ranges overlap and each sensor could activate the other. This influence is kept to a minimum by different frequency settings.

Variant	GC 339+
Black	203858
According to RAL	203859



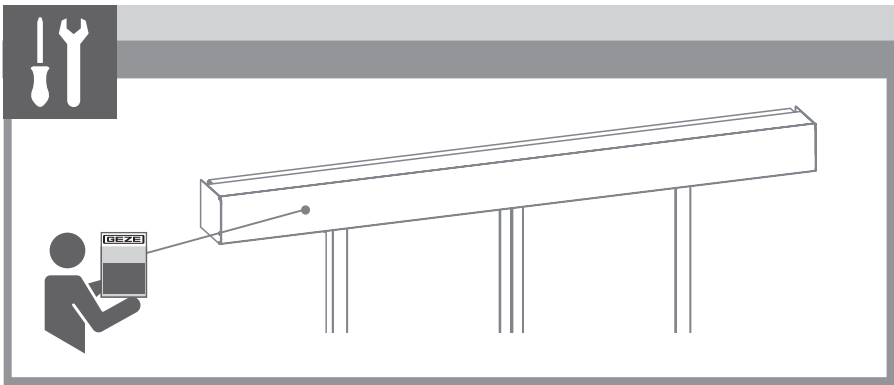
- | | | | |
|---|--|---|------------------------------------|
| 1 | Cover | 5 | IR lens (interface) |
| 2 | Setting push button (grey) | 6 | Width adjustment of the IR curtain |
| 3 | Button for setting the angle of the IR curtain (red) | 7 | LCD |
| 4 | IR lens (transmitter) | 8 | Main connector |

2.1 Scope of delivery



3 Work to be done before installation

3.1 Installing the drive



- ! ▶ Make sure that the cover of the drive is fitted correctly and earthed.

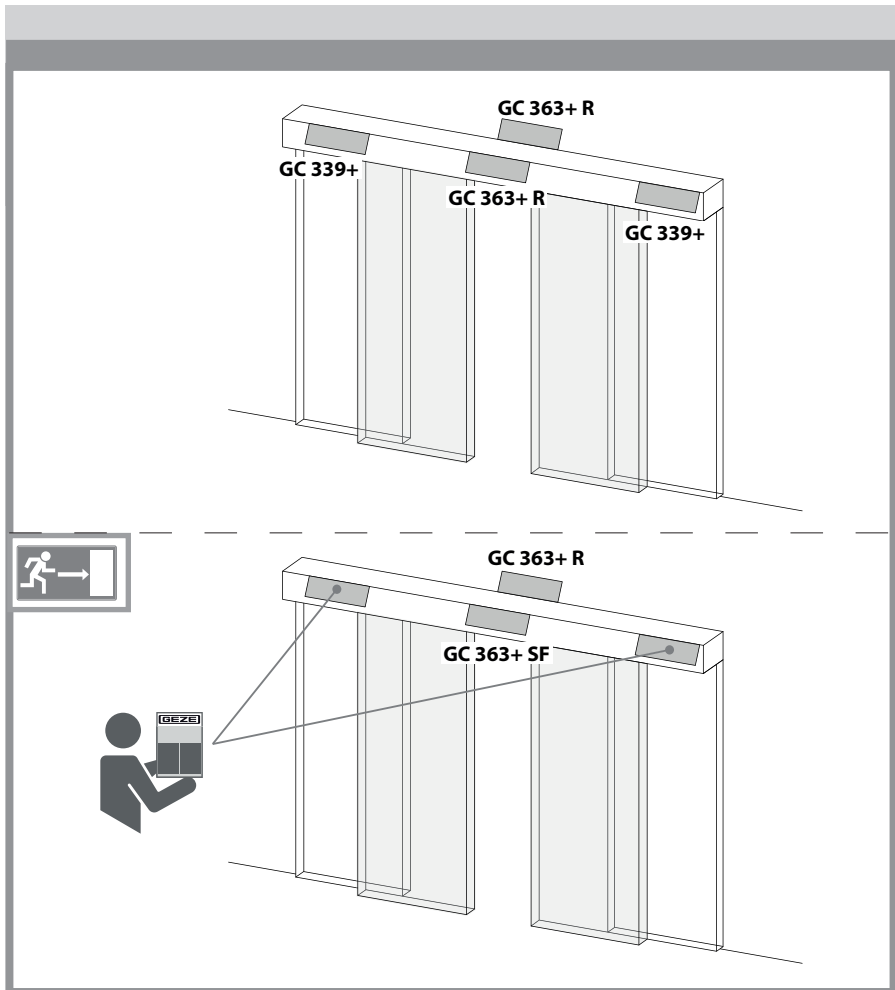
3.2 Safety sensor system

One combined detector per passage direction is installed on automatic sliding doors. The GC 339+ safety sensor may be required in addition for larger opening widths.



For escape and rescue routes:

- use protective door leaf if necessary. Heed standards.

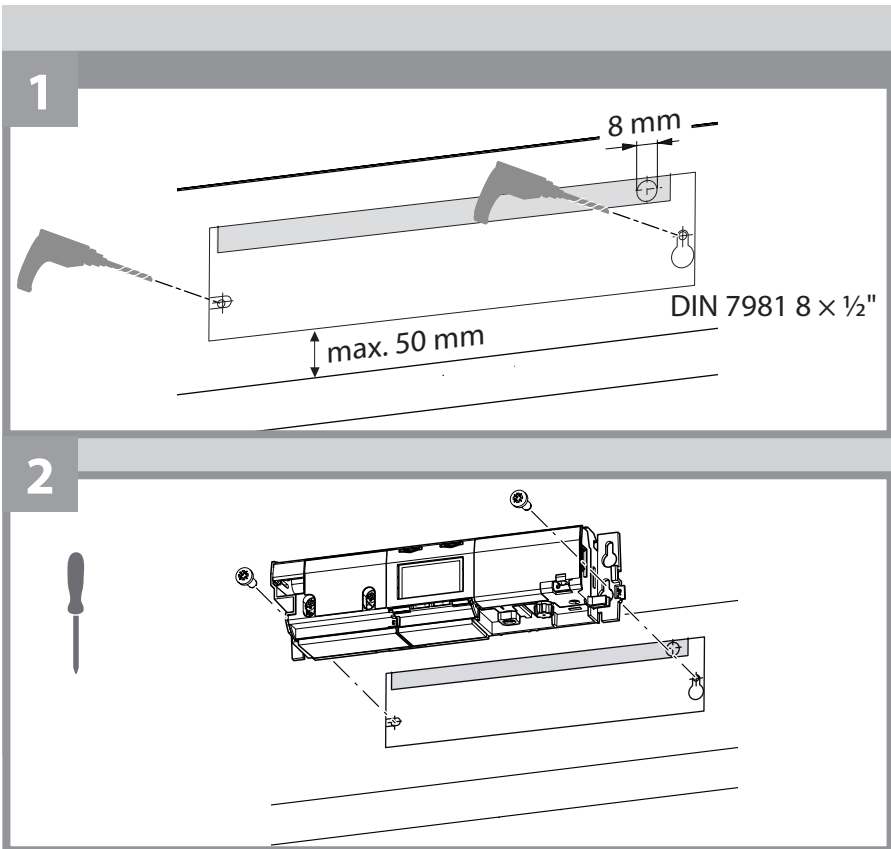


4 Installation

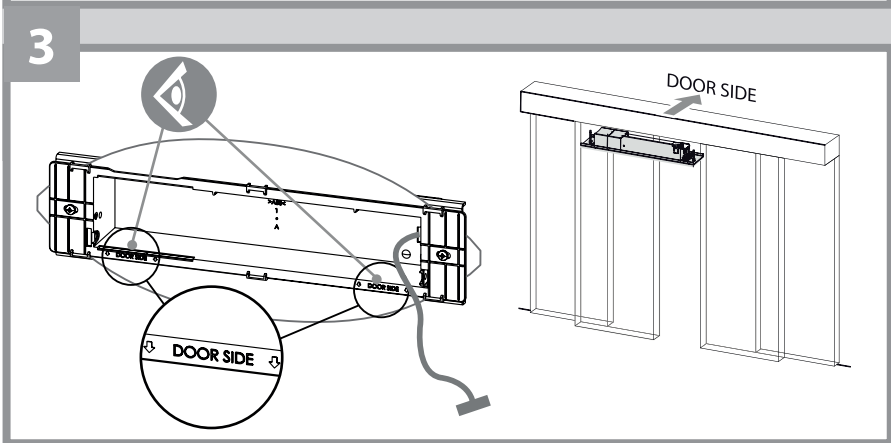
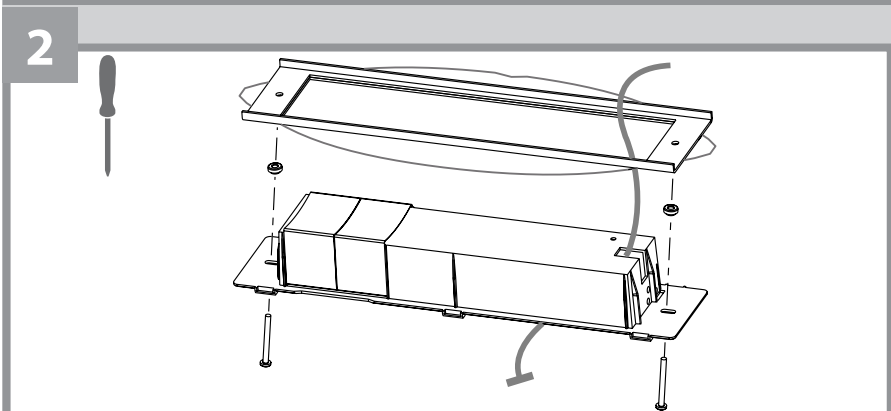
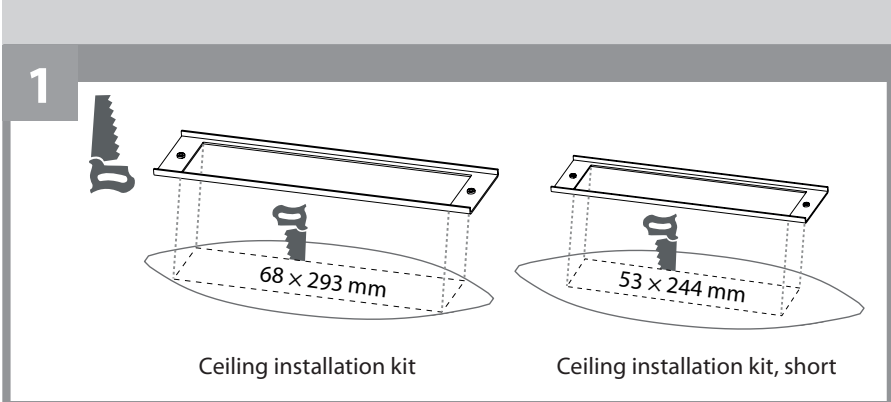
4.1 Installation without accessories

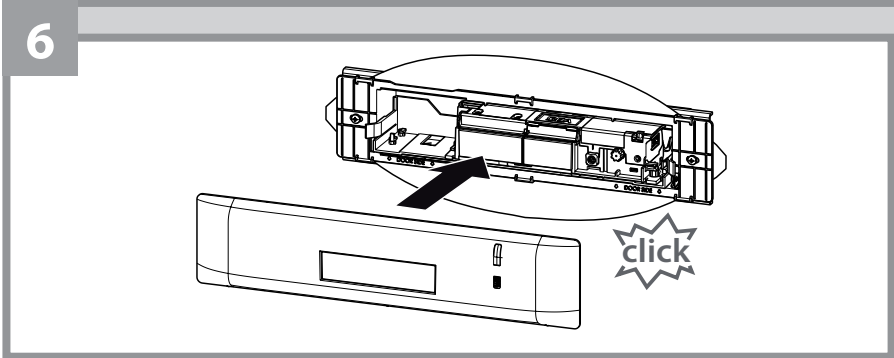
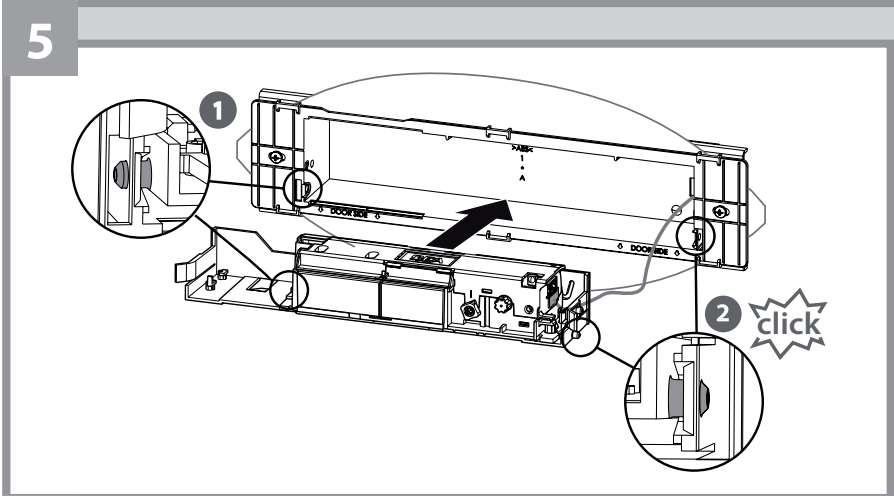
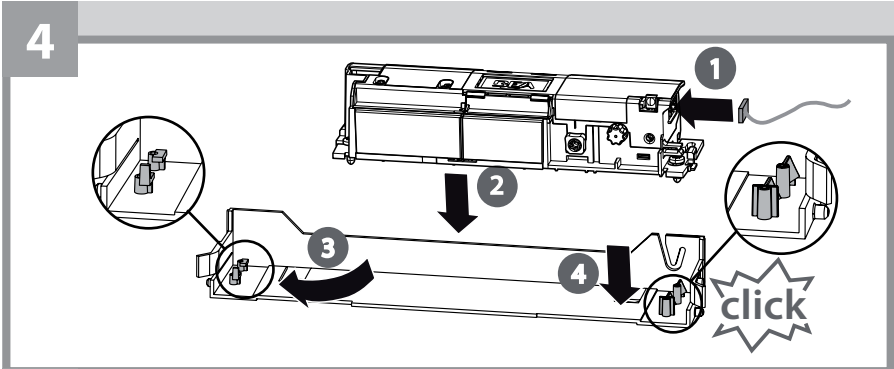


- ▶ Avoid extreme vibrations.
- ▶ Do not cover the sensor.
- ▶ Keep away from fluorescent lamps.
- ▶ Keep away from moving objects.
- ▶ Avoid highly reflective objects in the infrared range.
- ▶ Keep a distance of at least 150 mm away from lights, signs or hot air curtains.

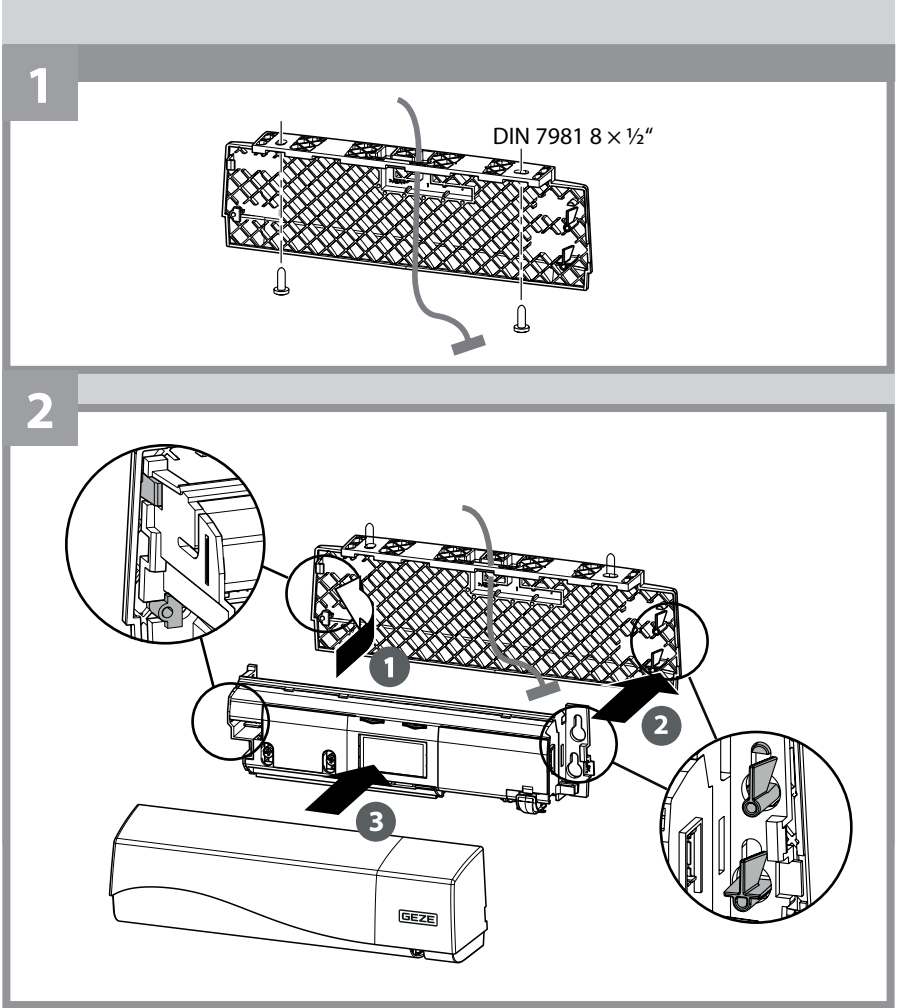


4.2 Installation with ceiling installation kit

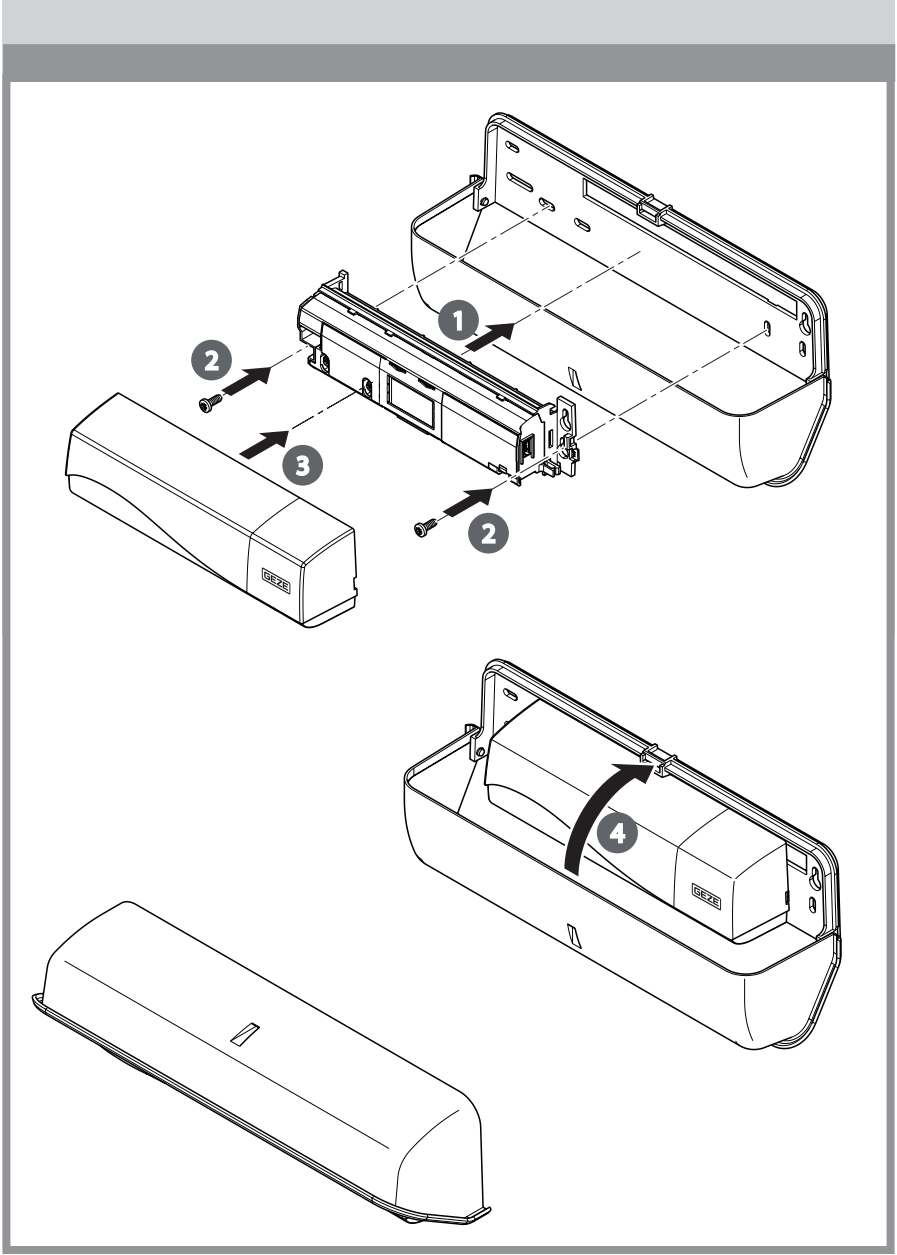




4.3 Installation with mounting bracket

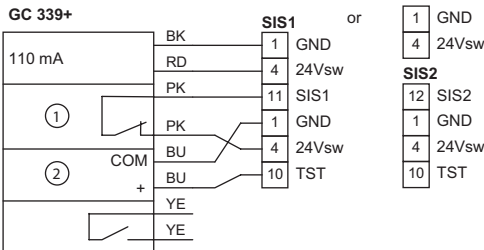
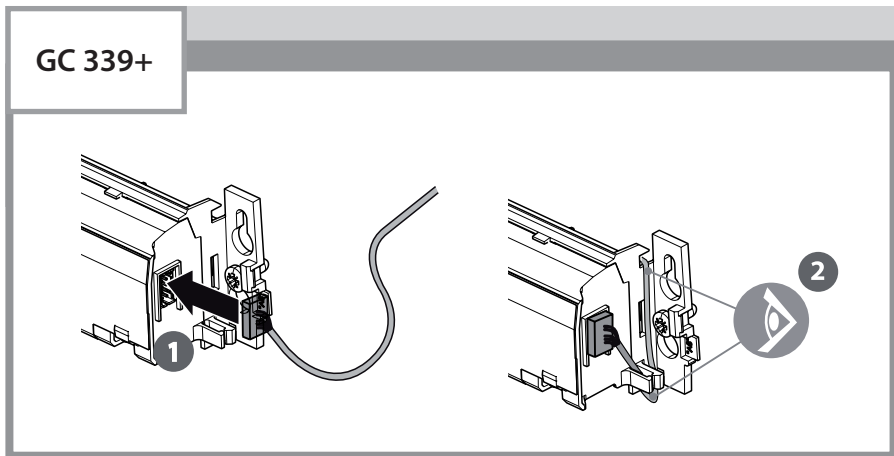


4.4 Installation with weather hood



4.5 Cabling

- ▶ Heed wiring diagrams for the sliding door drives.



- 1 IR curtain
- 2 Test

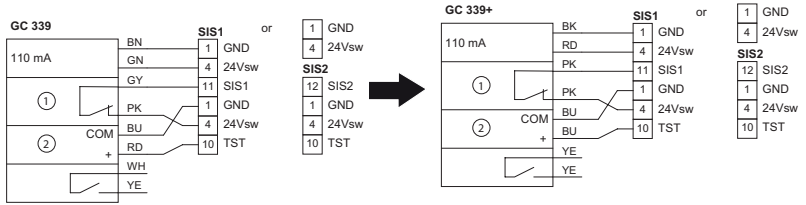
When activated, the output of the GC 339+ is opened (GND applied to the SIO input).

- ▶ Set the type of contact for SIO 1 and SIS 2 to “normally closed contact”.
- ▶ Test the sensor with GND.



For compliance with EN 16005 and DIN 18650, the test output of the door control must be wired and the sensor tested.

5 Retrofit



6 Commissioning

6.1 Protection area




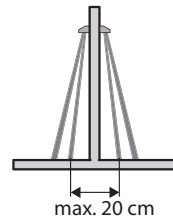
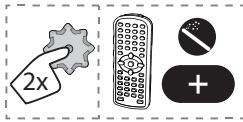
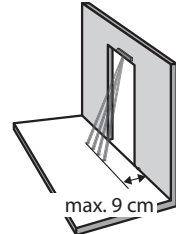
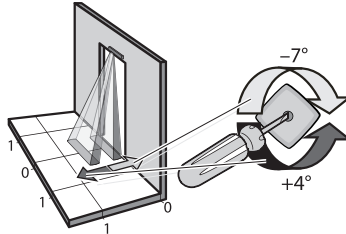
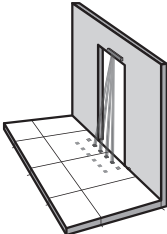
The position of the IR curtain in relation to the door can be checked using a spot finder.



▶ Activate 4 visible spots.*

▶ Adjust the tilt angle of the active infrared detector.

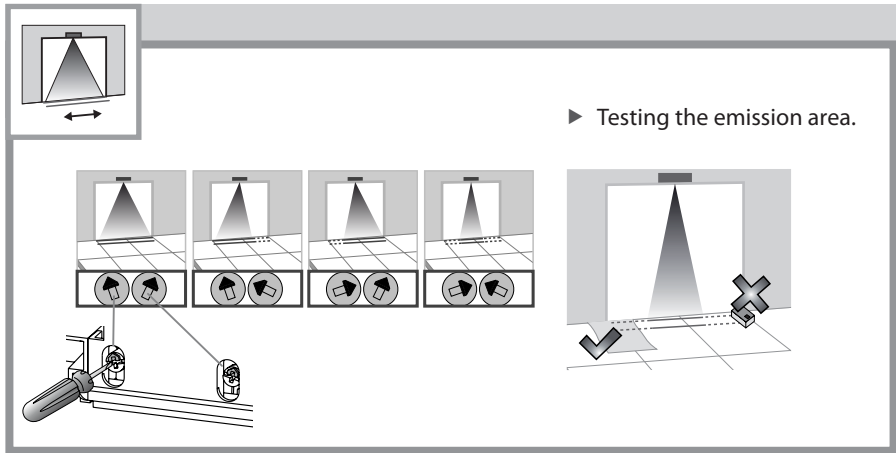
Yellow LED is flashing on spot finder  : Alignment correct.



* Visibility depends on the environmental conditions.



- Test the width of the required area using a piece of paper (DIN A4), since the spot finder detects over the whole emission area.



- The "IR: width" parameter must be set identically (see chapter 8).
- The complete NSK of the door must be covered.
- ▶ Set additional IR:Width parameters.

Standard-conform sensor setting according to DIN 18650 / EN 16005

Installation height	Detection width DIN 18650 / EN 16005
2.00 m	2.00 m
2.20 m	2.20 m
2.50 m	2.50 m
3.00 m	2.50 m / 3.00 m
3.50 m	2.50 m / 3.00 m

6.2 Settings

- ▶ Configure the sensor using LCD or remote control (see chapters 7 and 8).

6.3 Teach-in



- ▶ Before starting teach-in, move out of the infrared field.
- ▶ Before leaving the installation, test the correct sensor installation.

Teach-in		2 sec.		
Teach-in with door movement		4 sec.		

7 Configuration possibilities

7.1 Using the LCD menu

7.1.1 Display during normal function

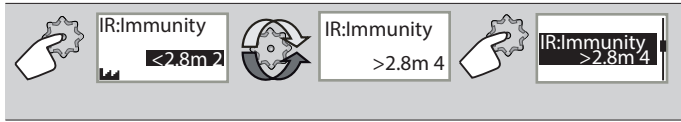
Opening impulse Protection Image shown negative Set contrast = active exit

7.1.2 Menu navigation

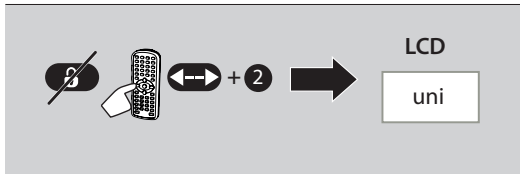
Enter pass-
word, if set

7.1.3 Changing ZIP code

7.1.4 Changing and storing values



7.1.5 Checking values using the remote control



8 Settings

8.1 Presettings

► Choose the following default settings or configure the settings yourself (see chapter 7).

<p>STANDARD: Standard inside and outside installations</p>	<p>Pre-setting Standard</p>	
<p>DIFFICULT ENVIRONMENTS: Difficult installations due to environment or weather</p>	<p>Pre-setting Critical cond.</p>	
<p>SHOPPING STREET: Installations in narrow pedestrian areas</p>	<p>Pre-setting Shopping street</p>	

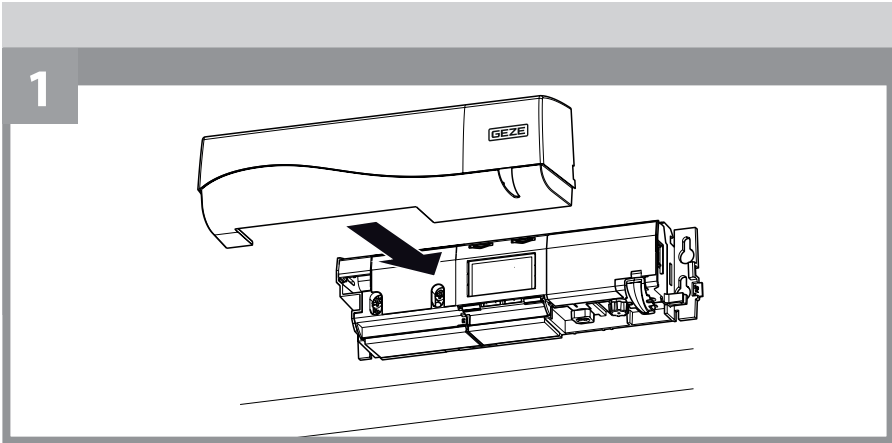
			0	1	2	3	4	5	6	7	8	9	
ADVANCED menu													
IR: Output		Normally open contact Normally closed contact	Normally closed contact	Normally open contact	Normally closed contact	Normally open contact	Normally closed contact	Normally open contact					
Redirection	Protection	Protection and opening	(0) Presence detector to protection input (1) Presence detector to protection or opening input										
Smart Daisy Chain	Off	1/2	2/2	1/3	2/3	3/3			1/2: 1. Sensor in chain of 2; 1/3: 1st in chain of 3; 2/2: 2. Sensor in chain of 2; 2/3: 2nd in chain of 3; 3/3: 3rd in chain of 3				
Factory Reset	Reset to factory settings.												
More / Back													

		DIAGNOSIS menu												
ZIP	All parameter values in zipped format (code) In the event of any faults, inform the service employee responsible of this ZIP code.												POWER SUPPLY	Power supply at the plug
ID #	Individual ID number												OPERATING TIME	Time since 1st voltage activation
Error log	The last 10 errors and day display												Reset log	Deletes all stored errors
IR: Spot view	Displays the spots which trigger detection												RC PASSWORD	Password for LED and remote control (0000 = no password)
IR: C1 ENERG	Signal amplitude at curtain 1												LANGUAGE	Language of the LCD menu
IR: C2 ENERG	Signal amplitude at curtain 2												ADMIN	Enter code for administration mode

9 Last installation steps



- ▶ Before leaving the installation, check the sensor for correct function.

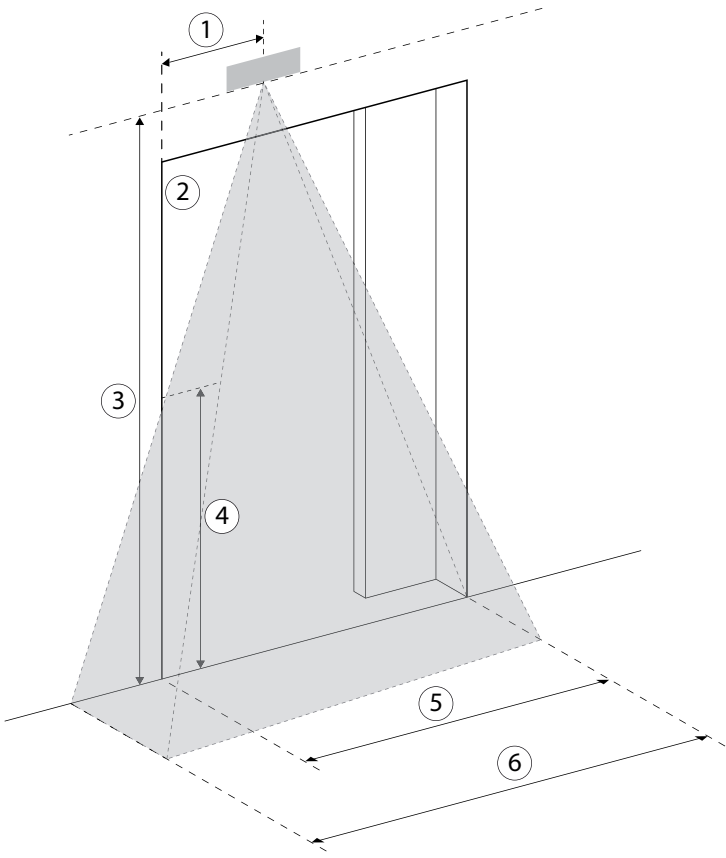


10 Further installation situations

10.1 Single leaf installation and separate activation

Installation height	Distance between detector and main closing edge	Max. leaf width*	Detection width DIN 18650/EN 16005
2000	0	1150	2000
2200	100	1350	2200
2500	250	1650	2500
3000	500	1900	2500 / 3000
3500	750	2150	2500 / 3000

* When only one GC 339+ detector is used. If necessary, a GC 339+ with a different frequency is required for further protection.



- 1 Distance
- 2 Main closing edge
- 3 Installation height
- 4 Protection; 2 m height according to DIN 18650 / EN 16005
- 5 Leaf width
- 6 Detection width

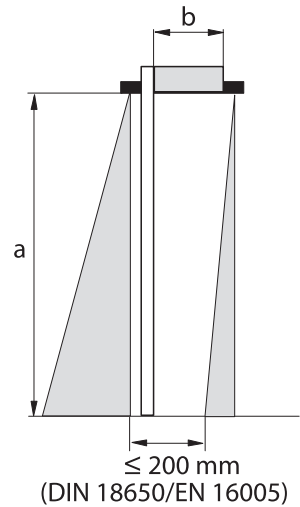
10.2 Wall mounting

According to DIN 18650/EN 16005, the distance between the inner active infrared detectors must not exceed 200 mm.



In the case of other dimensions, please contact the sales department first.

Installation height a (in mm)	Max. reveal depth b (in mm)
2000	395
2200	420
2500	455
3000	515
3500	580



11 Maintenance





- ▶ The visual parts must be cleaned at least once a year.
- ▶ Do not use aggressive cleaning agents or chemicals.

12 Fault messages and troubleshooting

LCD display	Effect	Cause	Elimination
E1	The ORANGE LED flashes 1 x	The sensor has detected an internal error.	<ul style="list-style-type: none"> ▶ Switch the power supply off and on. ▶ Replace the sensor if the ORANGE LED continues to flash.
E2	The ORANGE LED flashes 2 x	The power supply is too low or too high.	<ul style="list-style-type: none"> ▶ Check the power supply (in the LCD diagnosis menu). ▶ Check the wiring.
E4	The ORANGE LED flashes 4 x	The sensor is receiving too little IR energy.	<ul style="list-style-type: none"> ▶ Reduce the IR angle. ▶ Increase the IR immunity filter (values > 2.8 m). ▶ Disable 1 curtain.
E5	The ORANGE LED flashes 5 x	The sensor is receiving too much IR energy. External elements are interfering with the sensor.	<ul style="list-style-type: none"> ▶ Slightly increase the IR angle. ▶ Check for interfering elements and eliminate if necessary (e.g. lamps or earthing of the drive housing) ▶ Reduce the IR immunity filter to 1, 2 or 3.
E8	The ORANGE LED flashes 8 x	The IR energy transmitter is defective.	<ul style="list-style-type: none"> ▶ Replace the sensor.
–	The ORANGE LED is on	The sensor has a memory problem.	<ul style="list-style-type: none"> ▶ Switch the power supply off and on. ▶ Replace the sensor if the ORANGE LED lights up again.
–	The RED LED flashes quickly after teach-in with door movement	The sensor senses the door during teach-in with door movement.	<ul style="list-style-type: none"> ▶ Check the angle of the IR curtains. ▶ Start teach-in with door movement. Move out of the detection area for this.

LCD display	Effect	Cause	Elimination
-	The RED LED lights up sporadically	The sensor is vibrating.	<ul style="list-style-type: none"> ▶ Check whether the sensor has been fixed in place correctly. ▶ Check the position of cable and cover.
		The sensor senses the door.	<ul style="list-style-type: none"> ▶ Start teach-in with door movement and change the IR angle.
		Elements in the environment are interfering with the sensor.	<ul style="list-style-type: none"> ▶ Increase IR immunity filter to 3. ▶ Select default setting 2 and 3.
-	The LED and the LCD display are off		<ul style="list-style-type: none"> ▶ Switch the power supply off and on. ▶ Check the wiring.
-	The responses of the door and the LED do not correlate		<ul style="list-style-type: none"> ▶ Check initial configuration. ▶ Check the wiring.
-	The LCD display or remote control are not responding.	The sensor is protected by a password.	<ul style="list-style-type: none"> ▶ Enter the access code. Forgotten the access code? ▶ Switch the power supply on and off during the 1st minute after switch-on to unlock the sensor.

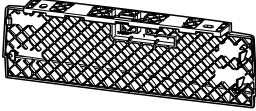
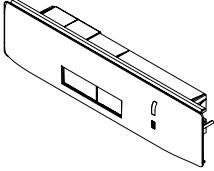
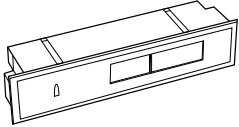
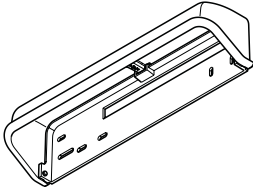
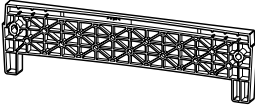
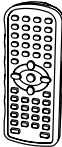
13 Technical data

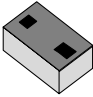
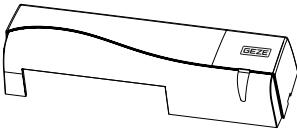
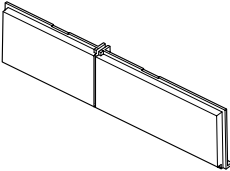
Power supply	12 V to 24 V, AC $\pm 10\%$; 12 V to 30 V, DC $\pm 10\%$
Power consumption	< 2.5 W
Installation height	2 m to 3.5 m
Temperature range	-25 °C to +55 °C, 0 to 95% relative humidity, non-condensing
Protection class	IP54 according to EN 60529
Detection mode	<p>Presence</p>  <p>Typical response time: < 200 ms (max. 500 ms)</p>
Technology	<p>Active infrared control with background evaluation</p> <p>Spot: 5 cm x 5 cm (type)</p> <p>Number of light beams: max. 24 per curtain</p> <p>Number of curtains: 2</p>
Output	<p>Semiconductor relay (standard) (potential-free, polarity-free)</p> <p>Max. switching current: 100 mA</p> <p>Max. switching voltage: 42 V, AC/DC</p> <p>Holdtime: 0.3 to 1 s</p>
Test input	<p>Signal voltage: Low: < 1 V, high: > 10 V (max. 30 V)</p> <p>Response time to test query: < 5 ms (type)</p>
Interference influences	< 70 dB
Type-tested by German Technical supervisory association	 EC type approval certificate number 44 205 13089625



This product must be disposed of separately from general domestic waste.

14 Accessories / spare parts

		Material no.
Ceiling bracket		153568
Ceiling installation kit		151253 (black) 151254 (white)
Ceiling installation kit (short)		200682
Weather hood		158250
Curved adapter		151540
Remote control		100061

		Material no.
Spot finder		112321
Cover		203864 (black) 203866 (according to RAL)
IR window		203867
Replacement cable 2.5 m		203868

Germany

GEZE GmbH
Niederlassung Süd-West
Tel. +49 (0) 7152 203 594
E-Mail: leonberg.de@geze.com

GEZE GmbH
Niederlassung Süd-Ost
Tel. +49 (0) 7152 203 6440
E-Mail: muenchen.de@geze.com

GEZE GmbH
Niederlassung Ost
Tel. +49 (0) 7152 203 6840
E-Mail: berlin.de@geze.com

GEZE GmbH
Niederlassung Mitte/Luxemburg
Tel. +49 (0) 7152 203 6888
E-Mail: frankfurt.de@geze.com

GEZE GmbH
Niederlassung West
Tel. +49 (0) 7152 203 6770
E-Mail: duesseldorf.de@geze.com

GEZE GmbH
Niederlassung Nord
Tel. +49 (0) 7152 203 6600
E-Mail: hamburg.de@geze.com

GEZE Service GmbH
Tel. +49 (0) 1802 923392
E-Mail: service-info.de@geze.com

Austria

GEZE Austria
E-Mail: austria.at@geze.com
www.geze.at

Baltic States –

Lithuania / Latvia / Estonia
E-Mail: baltic-states@geze.com

Benelux

GEZE Benelux B.V.
E-Mail: benelux.nl@geze.com
www.geze.be
www.geze.nl

Bulgaria

GEZE Bulgaria - Trade
E-Mail: office-bulgaria@geze.com
www.geze.bg

China

GEZE Industries (Tianjin) Co., Ltd.
E-Mail: chinasales@geze.com.cn
www.geze.com.cn

GEZE Industries (Tianjin) Co., Ltd.
Branch Office Shanghai
E-Mail: chinasales@geze.com.cn
www.geze.com.cn

GEZE Industries (Tianjin) Co., Ltd.
Branch Office Guangzhou
E-Mail: chinasales@geze.com.cn
www.geze.com.cn

GEZE Industries (Tianjin) Co., Ltd.
Branch Office Beijing
E-Mail: chinasales@geze.com.cn
www.geze.com.cn

France

GEZE France S.A.R.L.
E-Mail: france.fr@geze.com
www.geze.fr

Hungary

GEZE Hungary Kft.
E-Mail: office-hungary@geze.com
www.geze.hu

Iberia

GEZE Iberia S.R.L.
E-Mail: info.es@geze.com
www.geze.es

India

GEZE India Private Ltd.
E-Mail: office-india@geze.com
www.geze.in

Italy

GEZE Italia S.r.l. Unipersonale
E-Mail: italia.it@geze.com
www.geze.it

GEZE Engineering Roma S.r.l.
E-Mail: italia.it@geze.com
www.geze.it

Korea

GEZE Korea Ltd.
E-Mail: info.kr@geze.com
www.geze.com

Poland

GEZE Polska Sp.z o.o.
E-Mail: geze.pl@geze.com
www.geze.pl

Romania

GEZE Romania S.R.L.
E-Mail: office-romania@geze.com
www.geze.ro

Russia

OOO GEZE RUS
E-Mail: office-russia@geze.com
www.geze.ru

Scandinavia – Sweden

GEZE Scandinavia AB
E-Mail: sverige.se@geze.com
www.geze.se

Scandinavia – Norway

GEZE Scandinavia AB avd. Norge
E-Mail: norge.se@geze.com
www.geze.no

Scandinavia – Denmark

GEZE Danmark
E-Mail: danmark.se@geze.com
www.geze.dk

Singapore

GEZE (Asia Pacific) Pte, Ltd.
E-Mail: gezesea@geze.com.sg
www.geze.com

South Africa

GEZE South Africa (Pty) Ltd.
E-Mail: info@gezesa.co.za
www.geze.co.za

Switzerland

GEZE Schweiz AG
E-Mail: schweiz.ch@geze.com
www.geze.ch

Turkey

GEZE Kapı ve Pencere Sistemleri
E-Mail: office-turkey@geze.com
www.geze.com

Ukraine

LLC GEZE Ukraine
E-Mail: office-ukraine@geze.com
www.geze.ua

United Arab Emirates/GCC

GEZE Middle East
E-Mail: gezeme@geze.com
www.geze.ae

United Kingdom

GEZE UK Ltd.
E-Mail: info.uk@geze.com
www.geze.com

GEZE GmbH

Reinhold-Vöster-Straße 21–29
71229 Leonberg
Germany

Tel.: 0049 7152 203 0
Fax: 0049 7152 203 310
www.geze.com

