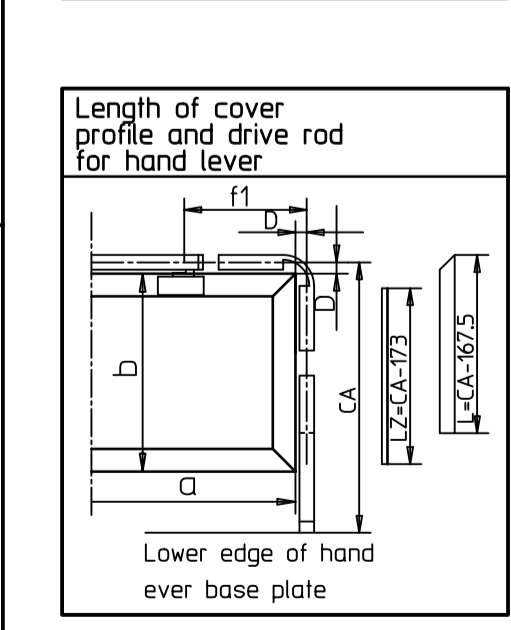
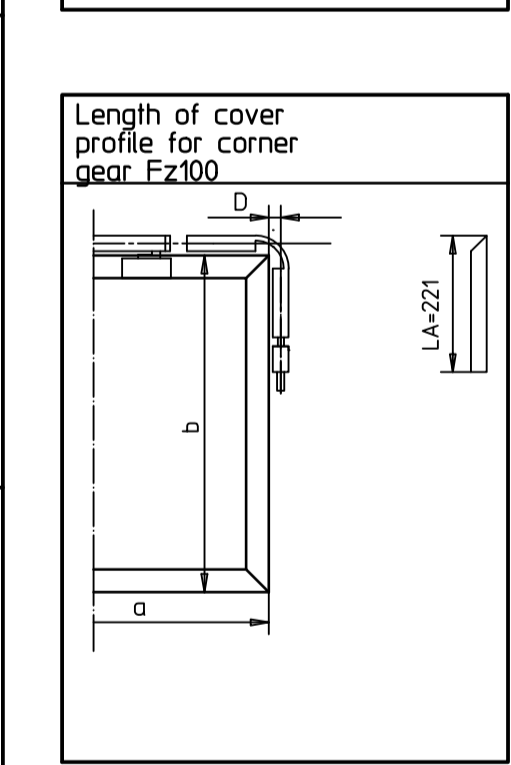
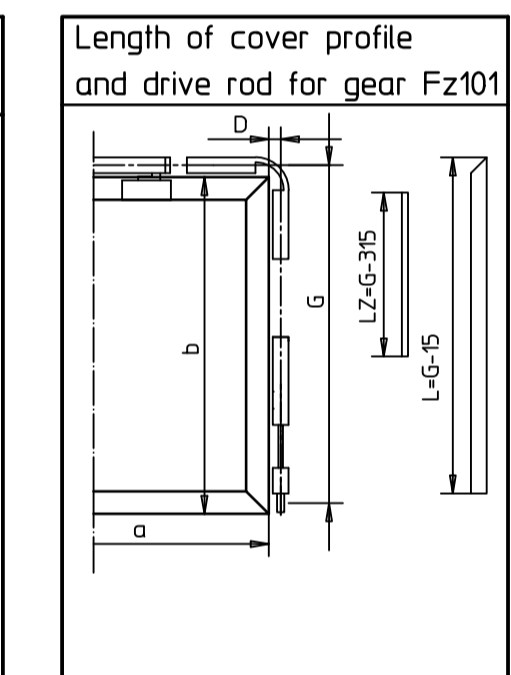
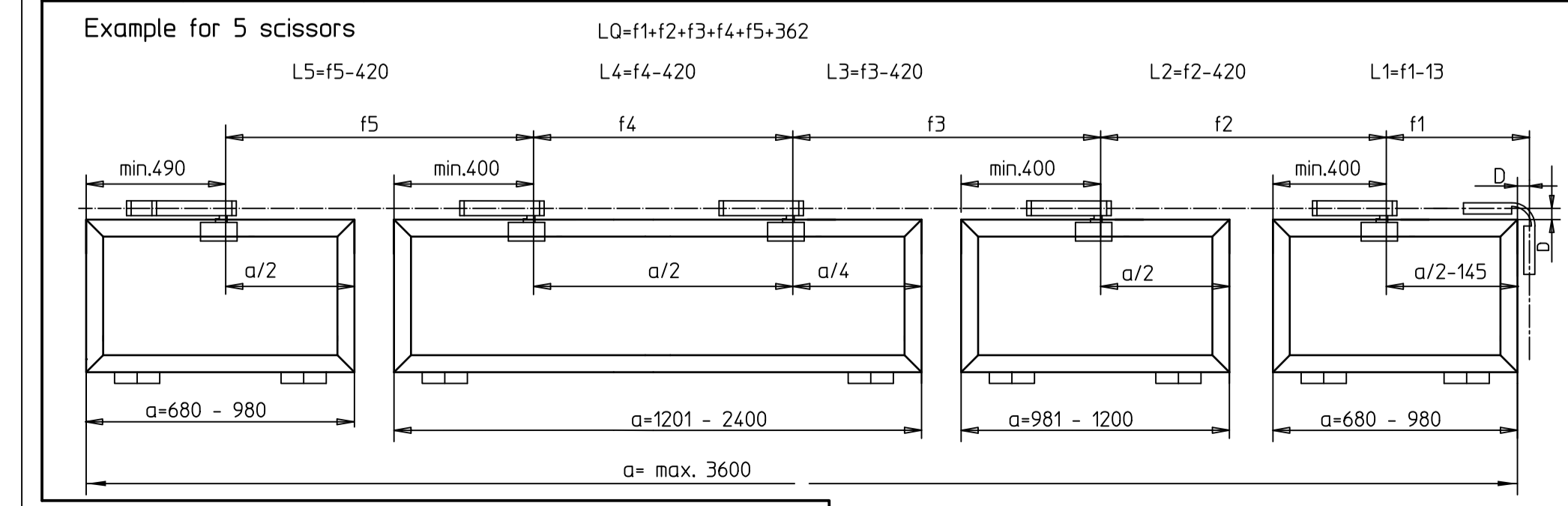
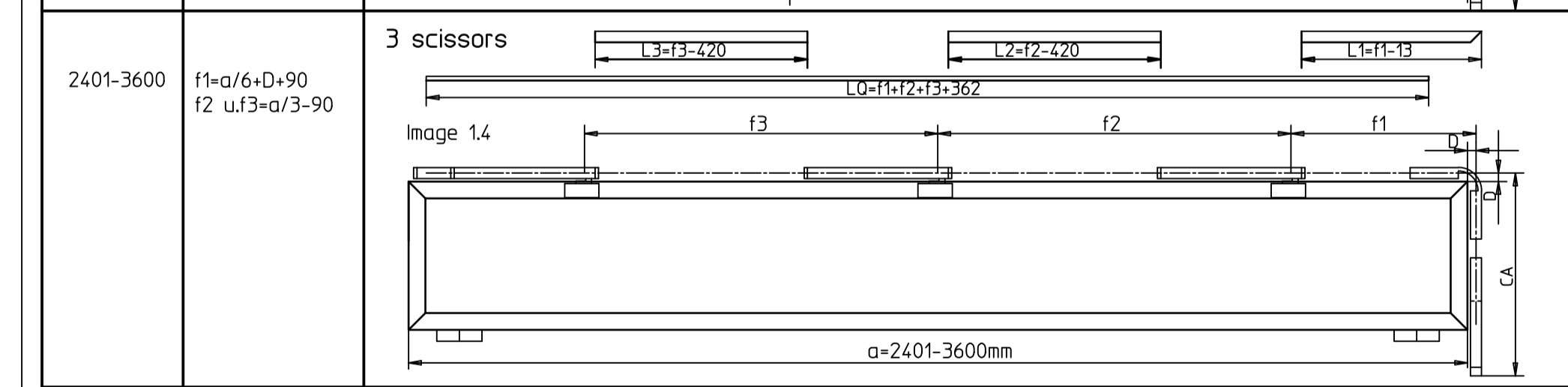
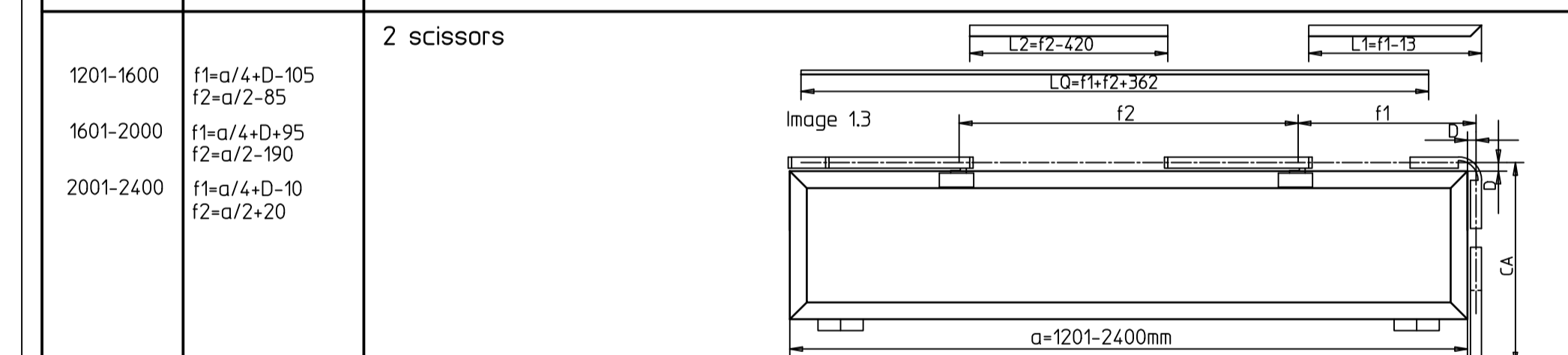
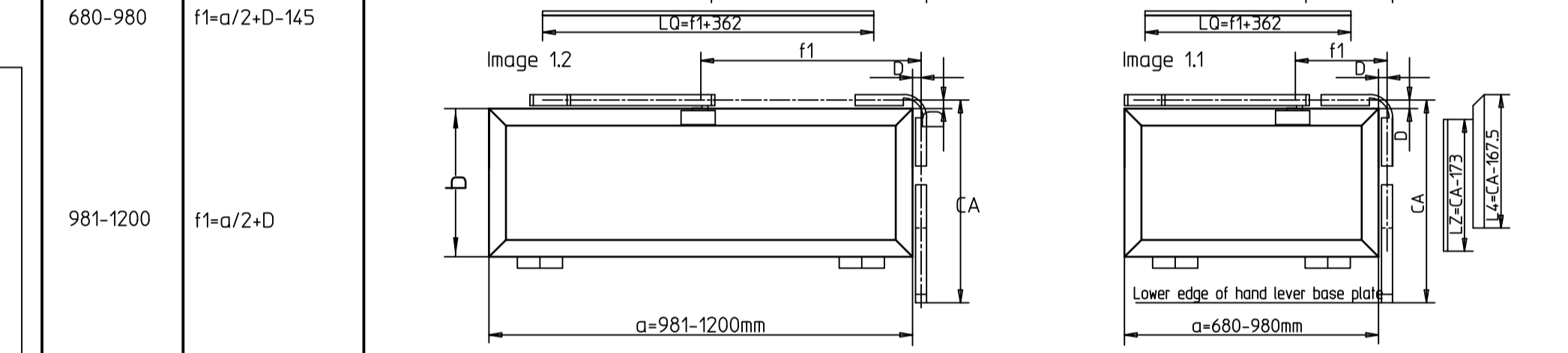


Casement width	f-dimensions	Length of the rods (LQ,LZ) and the cover profiles (LA)
680-980	$f1 = a/2 + D - 145$	1 scissors Image 1.2, Image 1.1 $a = 981 - 1200mm$
981-1200	$f1 = a/2 + D$	1 scissors Image 1.2, Image 1.1 $a = 981 - 1200mm$
1201-1600	$f1 = a/4 + D - 105$ $f2 = a/2 - 85$	2 scissors Image 1.3 $a = 1201 - 2400mm$
1601-2000	$f1 = a/4 + D - 95$ $f2 = a/2 - 190$	2 scissors Image 1.3 $a = 1201 - 2400mm$
2001-2400	$f1 = a/4 + D - 10$ $f2 = a/2 + 20$	2 scissors Image 1.3 $a = 1201 - 2400mm$
2401-3600	$f1 = a/6 + D + 90$ $f2 = f3 = a/3 - 90$	3 scissors Image 1.4 $a = 2401 - 3600mm$

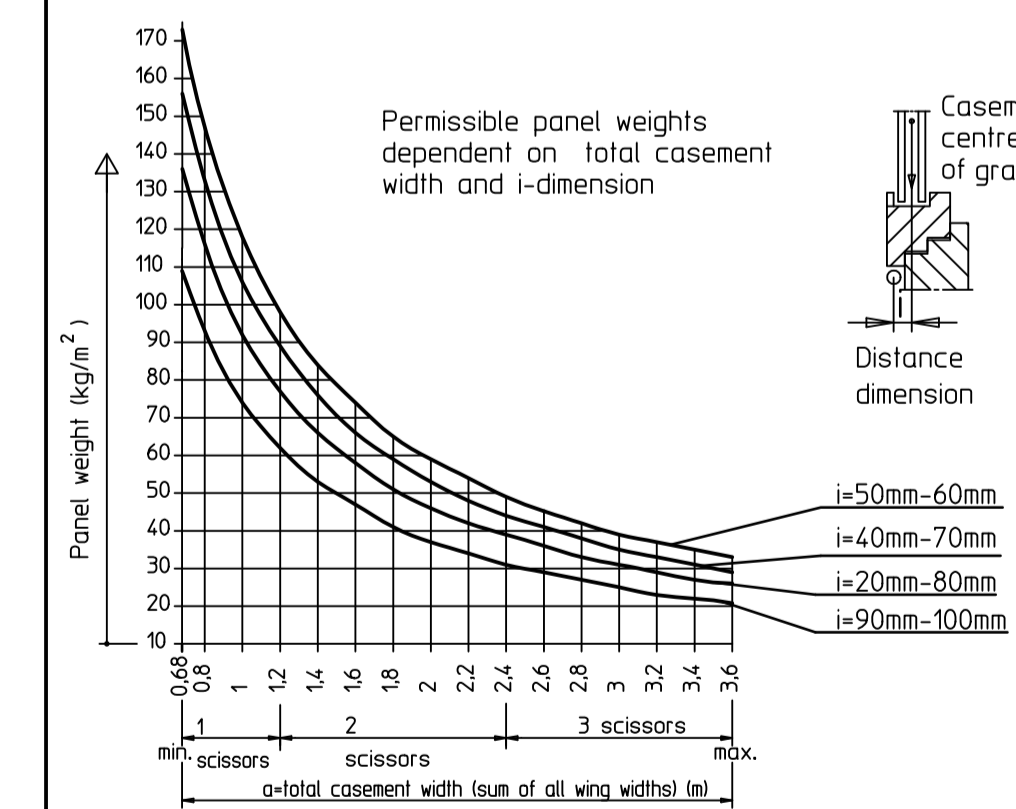


Casement height b	D-dimension top	Clearance Y top
400	23mm	min.36mm
500	21mm/23mm	D+13mm
600	19/21/23mm	D+13mm
800	17/19/21/23mm	D+13mm

Abbreviation	Explanation
L	Length cover profile
LQ	Length cross rod
LZ	Length of drive rod
f1, f2, f3	Fitting dimension for scissors

Area of application

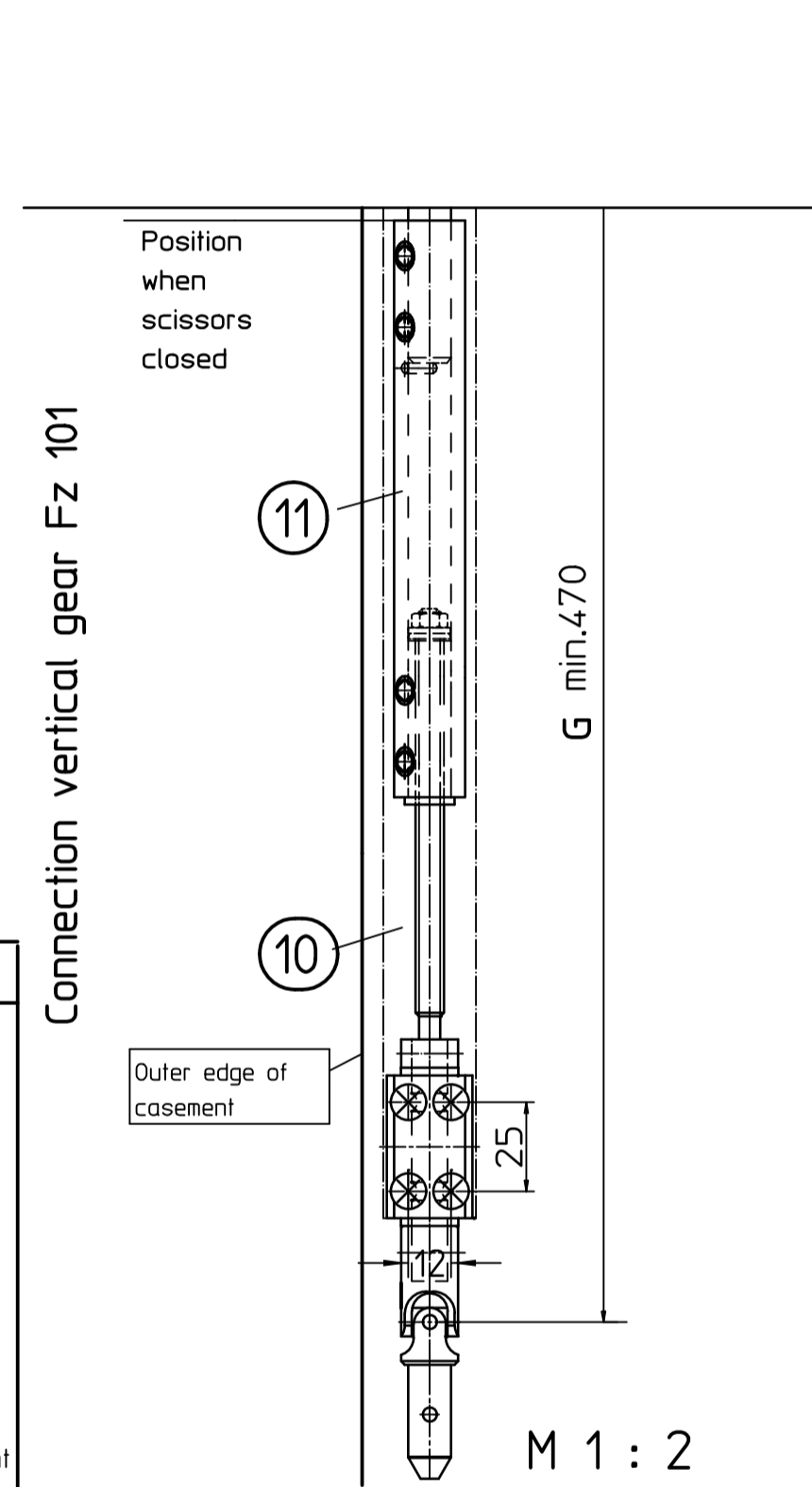
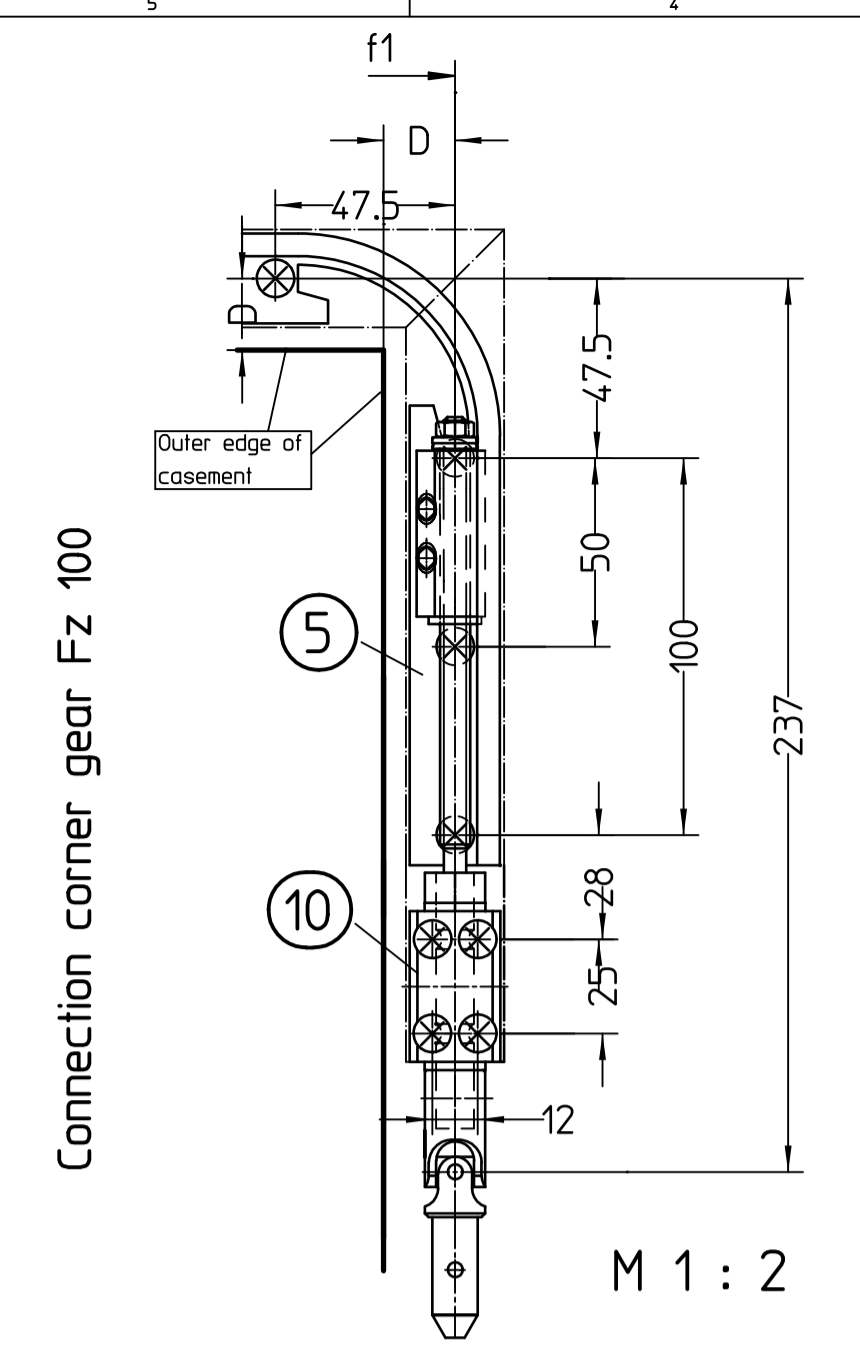
only for vertically installed bottom-hung casements inward opening
Deviation right and left possible
a = casement width min. 680mm
as long as the permissible total casement width is not exceeded - with gear Fz100 and Fz101 - up to 5 scissors may be mounted. Max. 3 scissors when using the hand lever.
b = Casement height min.400mm
Casement weight max. 250kg



i = Distance of the casement centre of gravity to the hinge pivot point + 20 to 100mm
D = Overlap height 0-25mm
CA = Centre cross rod to lower edge of hand lever base plate min.350mm
G = Centre of cross rod to centre of universal joint
X = Side clearance X+D+13mm, Xmin.=30mm, D side.min.17mm
Y = Upper clearance (see table)

Casement height b	D-dimension top	Clearance Y top
400	23mm	min.36mm
500	21mm/23mm	D+13mm
600	19/21/23mm	D+13mm
800	17/19/21/23mm	D+13mm

When using an additional locking, a D dimension of 19mm is required.



Technical data

Opening width approx. 320mm (standard):
Hand lever and gear Fitting stroke 70mm
Opening width approx. 220mm (optional):
Hand lever Fitting stroke 42mm
Opening widths with gear can be limited to:
approx. 260-280mm, fitting stroke 50-54mm, with 1x stroke limitation
approx. 200-220mm, fitting stroke 40-42mm, with 2x stroke limitation

Important information:

- Installation drawing, installation instructions, maintenance and operating instructions must be observed.
- The specified area of application must be observed.
- The prescribed fitting dimensions must be observed.
- The prescribed mounting elements must be used.
- In order to avoid injuries, protective caps must be turned on projecting threads of the fixing screws.
- Fittings are drawn in the closed position, but assembly is carried out in the open position.
- All fixing screws must be tightened in the open position with an Allen key SW4 with 8Nm.
- After assembly and before commissioning, the function of tightening all fixing screws must be checked, and all fixing screws must be tightened again.
- The joints and sliding points must be greased with an acid-free grease in accordance with DIN 51825.
- The free accessibility of the fitting parts for greasing and maintenance must be ensured in accordance with DIN 18357.
- If rods and cover profiles from other manufacturers are used, GEZE assumes no warranty and no liability for the resulting damage and consequential damage.
- From a free rod length of 800mm, rod guides must be used.
- The use of a suitable safety catch is prescribed for bottom-hung windows (see GEZE gripping and cleaning scissors).

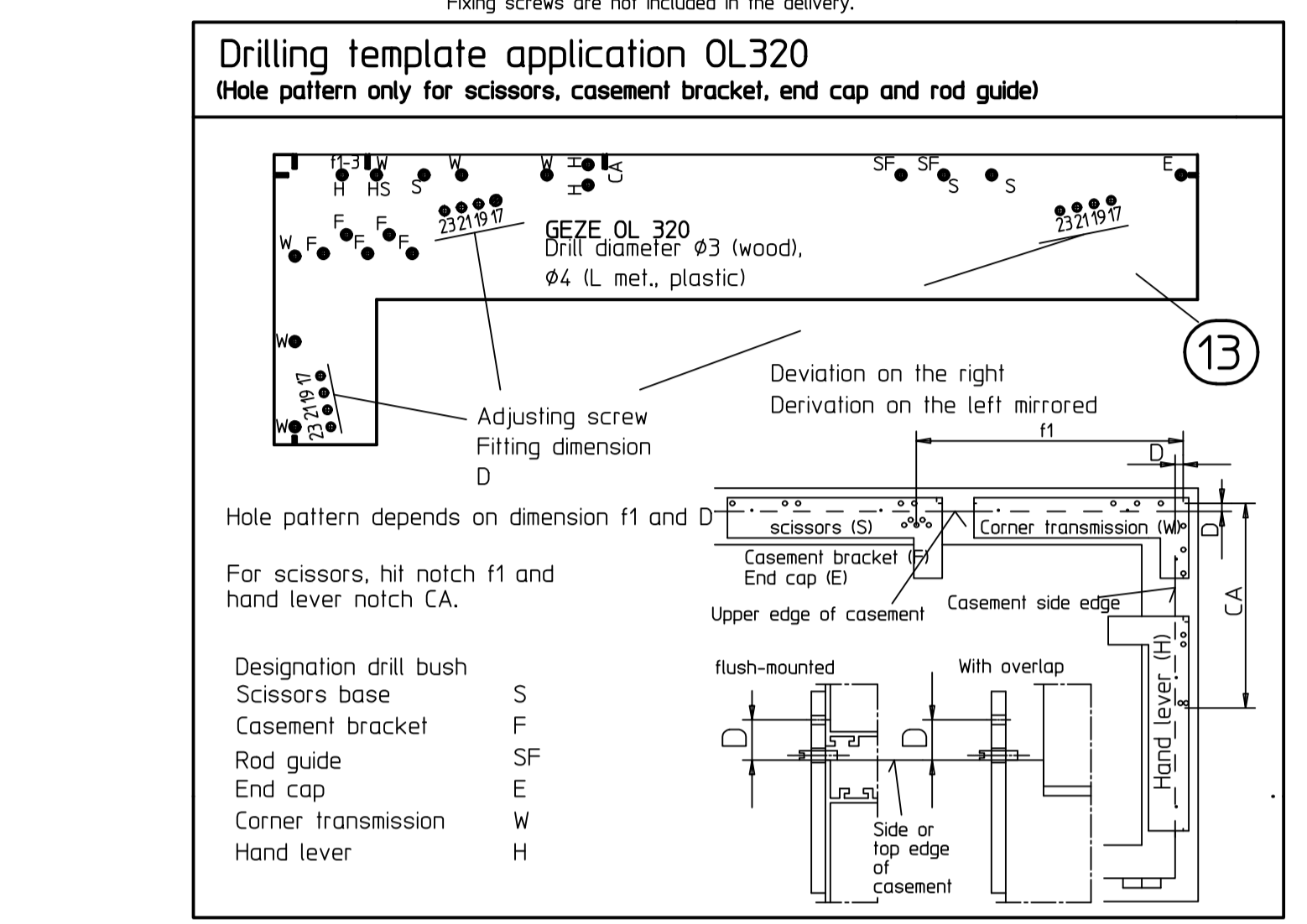
other installation drawings for GEZE OL 320

for pitched windows with hand lever or gear with additional locking	40424-EP-006
with electric drive E212 Vertical mounting	40424-EP-008
with electric drive E212 Horizontal mounting	40424-EP-029
	40424-EP-030

Mounting elements

Window type	Fixing screws	DrillØ
Wood	Countersunk wood screws 5x35 DIN97 or DIN7997 gear Fz100 and Fz101 : 5x55	3mm
Aluminium	Countersunk self-lapping screws 4.8x22 DIN972 or DIN7982 L-bolt must pass through min. 2mm profile wall Gear Fz100 and Fz101 : 4.8x32	4mm
synthetic	Countersunk self-lapping screws 4.8xL DIN 7972 or DIN 7982 L-bolt must pass through min. 2 profile walls. From 40 kg/m² filling weight: screw on scissors base and casement bracket in metal reinforcement.	4mm

Fixing screws are not included in the delivery.



Ordering requirement for OL320 with:

	A	B	C	D	E	F
Hand lever OL320	X	X	X	-	-	-
Corner gear Fz 100	X	X	-	X	-	-
Vertical gear Fz 101	X	X	-	-	X	X

Pos.	Name	Fitting parts (see BOM)			
		Ident no. for version	EV 1	white 9016	RAL
A	Scissors OL320 Content: 1 Scissors OL 320 1 Scissors base 1 Casement bracket, sliding 4 1 Screw plate short 1 Rod guide 1 Protective cap	128211	128212	128213	4 5 2
B	Additional package End cover Content: 1 End cap 1 Profile for end cover	058633	018254	013816	1
C	OL320 hand lever with corner transmission Content: 1 Corner transmission 1 Hand lever stroke 70mm 1 Rod guide	131610	131611	131612	6 4 2
D	Corner gear Fz 100 Content: 1 Threaded spindle mounted 1 Corner transmission		018194		4 6
E	Vertical gear Fz 101 Content: 1 Threaded spindle mounted 1 Pipe mounted 1 Rod guide		018196		4 2
F	Corner transmission		58648		6
	Rod Ø12 - 2000 mm - 3000 mm - 6000 mm		053198 053199 054116		
	Cover profile - 2000 mm* - 3000 mm* - 6000 mm		058771 058774 058630	14258 014259	
	* mitre cut on both sides				
7	Accessories (Must be ordered separately) Hand lever OL320, stroke 42mm Rod guide Rod coupling Stroke limiter for gear unit	131658	131659	131660	4 2
13	Drilling template for wood Drilling template for plastic and aluminium		137150 137152		

Date/Date		Name		Blatt / von	
Datum/Date	Fig. Prod./Rel. Prod.	Name	Blatt / von	Blatt / von	Material-Nr.
04 21.02.21	u/270	3362	1/1	1/1	
03 04.05.20	u/270	*			
02 06.02.20	u/270	2642			
01 06.02.20	u/270	*			